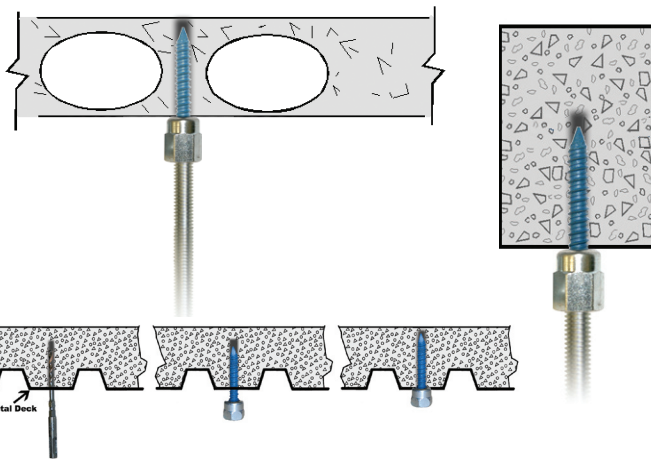


SAMMYS® FOR CONCRETE

SAMMYS® FOR CONCRETE - Vertical Application



Application



Product Features

- Easy two step process (Drill hole & drive Sammys concrete anchor).
- 1/4" pre-drilled pilot hole required.
- Concrete Installation Tool available for a one tool installation process.
- Made in the U.S.A.



#14 Black Nut Driver Part # 8113910
#14SW Red Nut Driver Part # 8114910

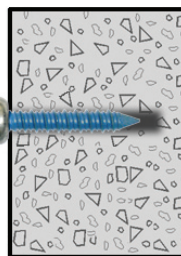
Approvals	Rod Size	Part Number	Model	Screw Descriptions	Ultimate Pullout (lbs)*	FM Test Load (lbs)	Box Qty	Case Qty
VERTICAL MOUNT								
	1/4"	8058957	CST 200	5/16 x 1-3/4"	2400		25	125
	3/8"	8059957	CST 20	5/16 x 1-3/4"	2400	1475	25	125
	3/8"	8145925	CST 20-SS	5/16 x 1-3/4"	2400		25	125
	1/2"	8060925	CST 2	5/16 x 1-3/4"	2400		25	125

* Tested in 3000 PSI concrete

SIDEWINDER® FOR CONCRETE - Horizontal Application



Application



Product Features

- Easy two step process (Drill hole & drive Sammys concrete anchor).
- 1/4" pre-drilled pilot hole required.
- Concrete Installation Tool available for a one tool installation process.
- Made in the U.S.A.



#14SW Red Nut Driver Part # 8114910

Approvals	Rod Size	Part Number	Model	Screw Descriptions	Ultimate Pullout (lbs)*	FM Test Load (lbs)	Box Qty	Case Qty
HORIZONTAL MOUNT								
	1/4"	8062957	SWC 200	5/16 x 1-3/4"	2450		25	125
	3/8"	8061957	SWC 20	5/16 x 1-3/4"	2450	1475	25	125

* Tested in 3000 PSI concrete



SPECIAL NUT DRIVER SYSTEM: The nut drivers were designed with a unique spin-off feature which provides a fast and safe installation each time. When the face of the driver comes into contact with the material you are installing into, continue drilling until nut driver spins free. Installation is then complete. Warranty requires the use of the appropriate nut driver for installations.